



**CST 110**

**STRETCH WRAPPER**

**CYKLOP**<sup>®</sup>  
GLOBAL PACKAGING SOLUTIONS

STRAPPING  
WRAPPING  
CODING  
TAPING

The CST 110 is the entry level stretch wrapper from Cyklop. The machine is ergonomically very suitable as a substitute for manual wrapping, which is often heavy and strenuous. The machine is standard supplied with a Ø 1500 mm turntable. The film trolley is equipped with a photocell that automatically detects the height of the load and the film tension can be adjusted manually by means of a mechanical brake.

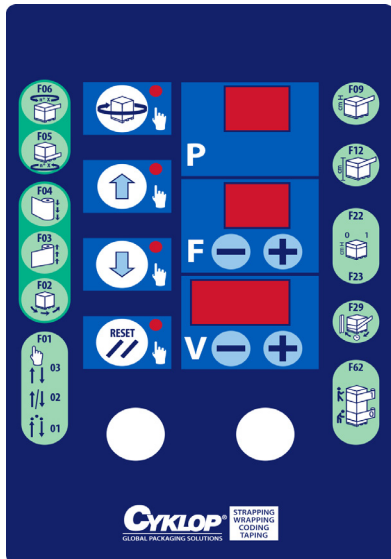
Unique to this machine is the special program which makes changing of the film roll easy. The film trolley goes to one set height where the operator can change the film roll easily and ergonomically.

**Options:**

- Larger turntable, Ø 1650 mm
- Photocell for dark loads
- Loading ramp (for pump truck, forklift)
- Roping (load to be secured on the pallet)
- Other options on request



> [Click here for a video of the CST 110](#) <



Technical data	
Turntable	Ø1500 mm
Wrapping height	2200 mm
Speed	12 rpm
Max. load	1500 kg
Max. pallet dimensions	800 x 1200 mm
Turntable height	75 mm
Film trolley	Mechanical brake
	Adjustable film tension
	Photocell for height detection
Film	Width 500 mm, core 76 mm
Power supply	230 V, 50/60 Hz, 0,75 KW

Cyklop UK Limited  
 Unit 2, Generation Business Park  
 Barford Road  
 St. Neots  
 Cambridgeshire  
 PE19 6YQ

+44 1480 216777  
[www.cyklop.co.uk](http://www.cyklop.co.uk)  
[info@cyklop.co.uk](mailto:info@cyklop.co.uk)

